

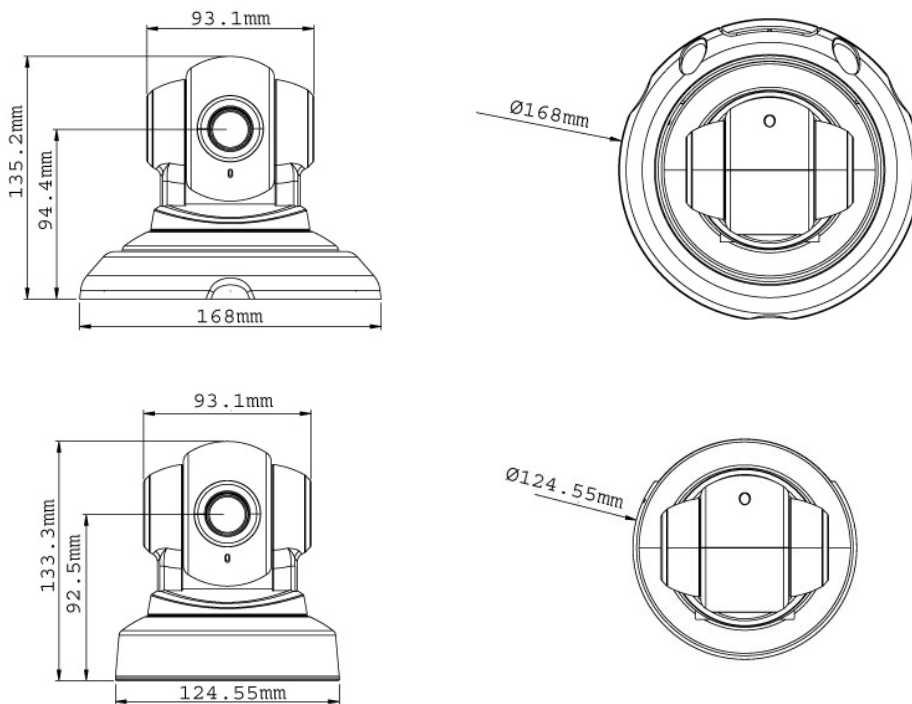
## GV-PT110D 1.3MP H.264 IR Pan Tilt IP Camera



- 1.3 megapixel progressive scan CMOS
- Dual streams from H.264, MJPEG and MPEG4
- Up to 15 fps at 1280 x 1024
- Pan and tilt (Pan: -175° ~ 175°; Tilt: -45° ~ 90°)
- Built-in / external microphone
- 2-way audio
- One sensor input and alarm output
- Micro SD/SDHC Card Slot
- Input-triggered Preset points
- Motion detection
- Privacy mask
- IP address filtering
- DC 12 V / AC 24 V / PoE
- Removable IR-cut filter for Day/Night function
- Supports iPhone, iPad, Android & 3GPP
- 28 languages on Web interface

\* No SD/SDHC card slot & local storage function for Argentina.

The GV-PT110D camera is a ceiling-mount device that features panning and tilting functions. The GV-PT110D is designed to monitor a wide area and to focus on a selected point on live view when suspicious events occur.



### SPECIFICATIONS

Camera		
Image Sensor	1/3" progressive scan CMOS	
Picture Elements	1280 (H) x 1024 (V)	
Minimum Illumination	Color	1.5 Lux (1/60 sec) 0.2 Lux (1/5 sec) (F/1.5, AGC-On, slow shutter-Off)
	B/W	0 Lux (1/60 sec) (F/1.5, AGC-On, slow shutter-Off)
	IR ON	
Shutter Speed	Automatic (Balanced, Speed Priority, Quality Priority), Manual (1/5 ~ 1/4000 sec)	
White Balance	Automatic, Manual (2800K ~ 8500K)	

Lens			
Megapixel	Yes		
Day/Night	Yes (with removable IR-cut filter)		
Iris	Fixed		
Maximum Aperture	F/1.5		
Lens Mounting	M12, Pitch 0.5 mm		
Image Format	1/3"		
Megapixel	Yes		
Angle of View	Diagonal	89°	
	Horizontal	71.2°	
	Vertical	50°	
Operation	Focus	Manual (w/lock)	
	Zoom	None	
	Iris	Fixed	
IR LED Quantity	14 IR LEDs		
IR Distance	15 m / 50 ft. (Max.)		
Operation			
Video Compression	H.264, MPEG4, MJPEG		
Video Stream	Dual Streams from H.264, MPEG4 and MJPEG		
Video Resolution	Main Stream	4:3	1280 x 960, 640 x 480, 320x 240
		5:4	1280 x 1024, 640 x 512, 320 x 256
	Sub Stream	4:3	640 x 480, 320x 240
		5:4	640 x 512, 320 x 256
Frame Rate	30 fps at 640 x 480, 15 fps at 1280 x 1024 * The frame rate and the performance may vary depending on the number of connections and data bitrates (different scenes).		
Image Setting	Exposure Control, White Balance, Image Orientation, Backlight Compensation, Gamma		
Audio Compression	G.711		
Sensor Input	1 Input (Dry Contact)		
Alarm Output	1 Output		
Network			
Interface	10/100 Ethernet		
Protocol	HTTP, TCP, UDP, SMTP, FTP, DHCP, NTP, UPnP, DynDNS, 3GPP/ISMA, RTSP, PSIA		
Mechanical			
Lens Mounting	M12, Pitch 0.5 mm		
Temperature Detector	Yes		
Connectors	Power	2-pin terminal block, PoE	
	Ethernet	RJ-45	
	Audio	1 In (Using a built-in or an externally connected microphone) 1 Out (Stereo phone jack, 3.5 mm / 0.14 in)	
	Local Storage	Micro SD / SDHC memory card slot (for Class 6 card or above)	
	Digital I/O	3-pin terminal block	
LED Indicator	2 LEDs: Power and Status		
Camera Angle Adjustment	Pan	-175° ~ 175°	
	Tilt	-45° ~ 90°	
General			
Environment Temperature	-10 °C ~ 50 °C / 14 °F ~ 122 °F		
Humidity	10% to 90% (no condensation)		
Power Source	12V DC / 24V AC / PoE		
Max. Power Consumption	12 W		
Regulatory	CE, FCC, C-Tick, RoHS compliant		
Dimensions	With mounting base and cover	168 x 135.2 mm / 6.61 x 5.32 in	
	Without mounting base and cover	124.55 x 133.3 mm / 4.9 x 5.25 in	
Weight	440 g / 0.97 lb		
Regulatory	CE, FCC, C-Tick, RoHS compliant		
Image Setting	Exposure Control, White Balance, Image Orientation, Backlight Compensation, Gamma		
Audio Compression	G.711		

Image Setting	Exposure Control, White Balance, Image Orientation, Backlight Compensation, Gamma	
Audio Compression	G.711	
Sensor Input	1 Input (Dry Contact)	
Alarm Output	1 Output	
<b>Network</b>		
Interface	10/100 Ethernet	
Protocol	HTTP, TCP, UDP, SMTP, FTP, DHCP, NTP, UPnP, DynDNS, 3GPP/ISMA, RTSP, PSIA	
<b>Mechanical</b>		
Lens Mounting	M12, Pitch 0.5 mm	
Temperature Detector	Yes	
Connectors	Power	2-pin terminal block, PoE
	Ethernet	RJ-45
	Audio	1 In (Using a built-in or an externally connected microphone) 1 Out (Stereo phone jack, 3.5 mm / 0.14 in)
	Local Storage	Micro SD / SDHC memory card slot
	Digital I/O	3-pin terminal block
LED Indicator	2 LEDs: Power and Status	
Camera Angle Adjustment	Pan	-175° ~ 175°
	Tilt	-45° ~ 90°
<b>General</b>		
Environment Temperature	-10 °C ~ 50 °C / 14 °F ~ 122 °F	
Humidity	10% to 90% (no condensation)	
Power Source	12V DC / 24V AC / PoE	
Power Consumption	15 W (max. 1.25A at 12V DC)	
Regulatory	CE, FCC, C-Tick, RoHS compliant	
Dimensions	With mounting base and cover	168 x 135.2 mm / 6.61 x 5.32 in
	Without mounting base and cover	124.55 x 133.3 mm / 4.9 x 5.25 in
Weight	440 g / 0.97 lb	
Regulatory	CE, FCC, C-Tick, RoHS compliant	
<b>Power over Ethernet</b>		
PoE Standard	IEEE 802.3af Power over Ethernet / PSE	
PoE Power Supply Type	End-Span	
PoE Power Output	Per Port 48V DC, 350mA. Max. 15.4 watts	
<b>Web Interface</b>		
Installation Management	Web-based configuration	
Maintenance	Firmware upgrade through Web Browser or Utility	
Access from Web Browser	Camera live view, video recording, change video quality, bandwidth control, image snapshot, digital I/O control, audio, Wide Angle Lens Dewarping, Picture in Picture, Picture and Picture, Privacy Mask	
Language	Bulgarian / Czech / Danish / Dutch / English / French / German / Greek / Hebrew / Hindi / Hungarian / Indonesian / Italian / Japanese / Lithuanian / Norwegian / Persian / Polish / Portuguese / Romanian / Russian / Serbian / Simplified Chinese / Slovakian / Slovenian / Spanish / Thai / Traditional Chinese / Turkish * Bulgarian, Dutch, Greek, Hindi, Indonesian, Lithuanian, Norwegian, Persian, Romanian, Slovakian, Slovenian, Thai and Turkish are only supported in V1.08 or later.	
<b>Applications</b>		
Network Storage	GV-NVR, GV-System, GV-Backup Center, GV-Recording Server * GV-Backup Center and GV-Recording Server are supported in V1.08 or later	
Mobile Phone support	GV-AView for Android Smartphone, GV-Eye HD for iPad, GV-Eye for iPhone and iPod Touch, GV-GView for Windows PDA, GV-MSView for Windows Smartphone, GV-SSView for Symbian Smartphone, 3G-enabled phone.	
Live Viewing	IE , GV-MultiView	
CMS Server support	GV-Control Center, GV-Center V2, GV-VSM	

**Note:** Specifications are subject to change without notice.